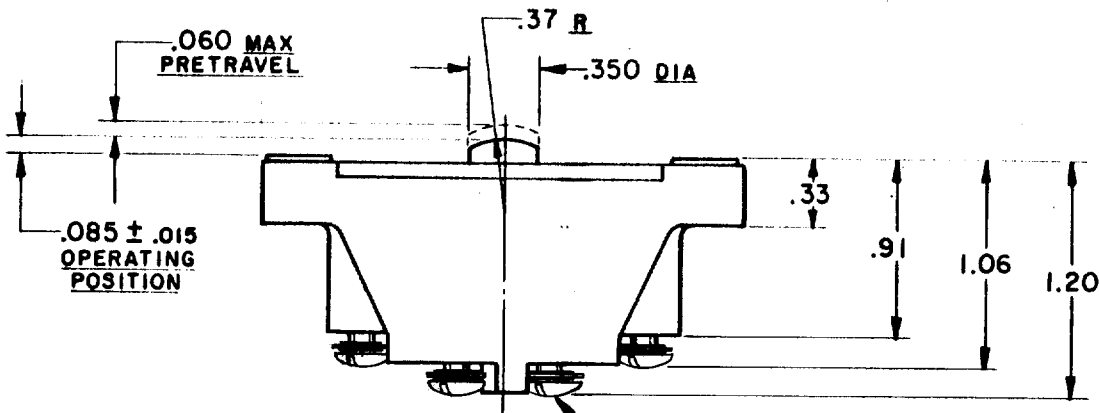
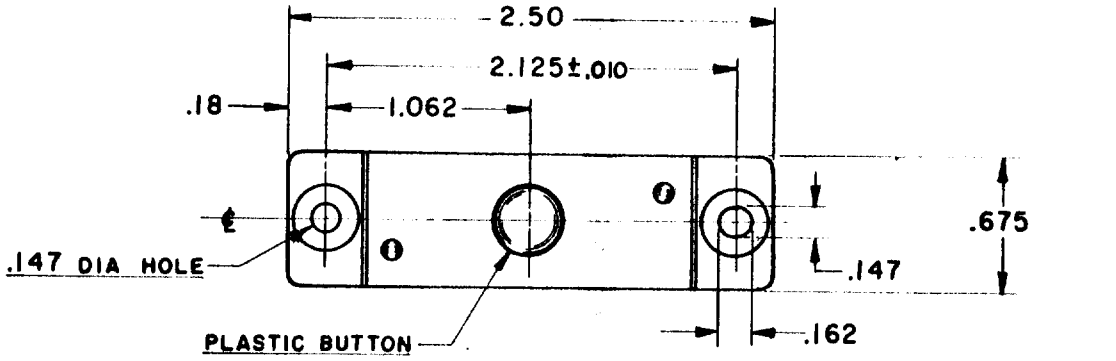
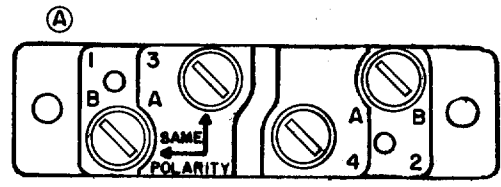


SWITCH - BASIC

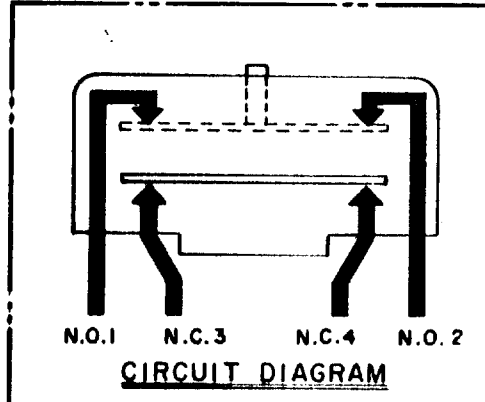
3MNI
 M
 DRAWING NUMBER
 X
 ISSUE
 4
 REVISIONS
 A SR-8410
 L M H
 10 AUG 59
 B CO 15776
 K L B
 18 APR 61
 C C039450
 W L W
 6 SEPT 77
 CHECK
 J S K
 9 APR 57
 GCH
 11 AUG 59
 CHECK
 59
 APR
 9
 DRAWN
 L M H
 9 APR 59
 CHECK
 59
 APR
 9
 REPLACES
 SR-8410
 RELEASE NO.



8-32 NC-2A X .230 REF
BINDER HEAD TERMINAL
SCREW AND LOCKWASHER
(SEMS) (4)



NOTE -
1 - MOUNTING HOLES WILL ACCEPT PINS OR SCREWS
OF .139 MAX DIA ON 2.125 ± .005 CENTERS.



THIS DRAWING COVERS A PROPRIETARY ITEM AND IS THE PROPERTY OF MICRO SWITCH, A DIVISION OF MINNEAPOLIS-HONEYWELL REGULATOR CO. THIS DRAWING IS NOT TO BE COPIED OR USED WITHOUT THE APPROVAL OF MICRO SWITCH.

CHARACTERISTICS		ELECTRICAL DATA		SCALE FULL	
OPERATING FORCE	12-20 OZ	CONTACT ARRANGEMENT	SEE CIRCUIT DIAGRAM	DO NOT SCALE PRINT	
RELEASE FORCE	6 OZ MIN	UL RECOGNIZED - FILE E22779 15A-120, 240, 480, OR 600 VAC 1/2 HP-120 VAC; 1 HP-240 VAC 0.8A-115 VDC; 0.4A-230 VDC PILOT DUTY RATING: 600 VAC MAX		UNLESS OTHERWISE SPECIFIED	
DIFFERENTIAL TRAVEL	.015-.025			DIMENSIONS ARE IN INCHES	
OVERTRAVEL	.080 MIN			TOLERANCES ARE:	
				ONE PLACE (.0)	±.030
				TWO PLACE (.00)	±.015
				THREE PLACE (.000)	±.008
				ANGLES	±
				WEIGHT	

